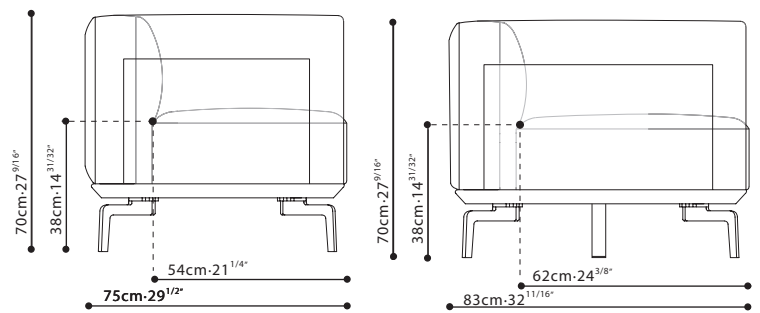


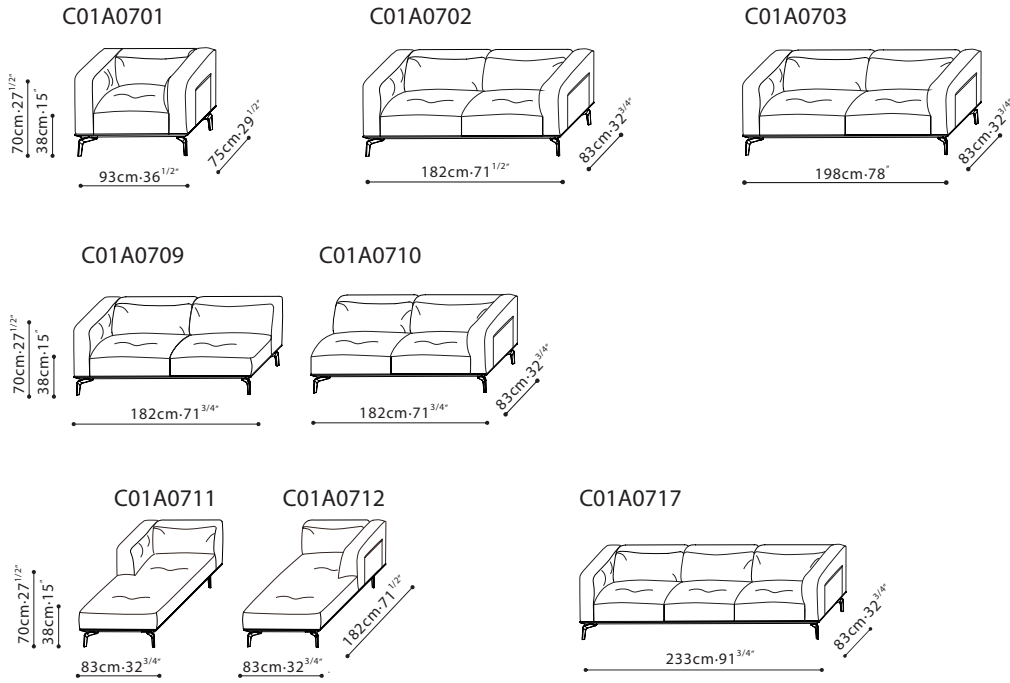


AVALON / FRAME: Exterior steel panels covered in P/FC eco-leather. SEAT/ARMS/BACK: Removable cushions filled w/feather wrapped high-resilient foam core. BASE: FC-11 black eco-leather wrapped steel frame w/cross-woven elastic webbing & sinuous springs. FEET: Black metallic painted steel w/plastic glides. UPHOLSTERY: Removable Fabric, Removable Leather or Fabric/Leather combo. Exterior panels in complimenting P/FC eco-leather; Q & R/RS leather available w/up charge.

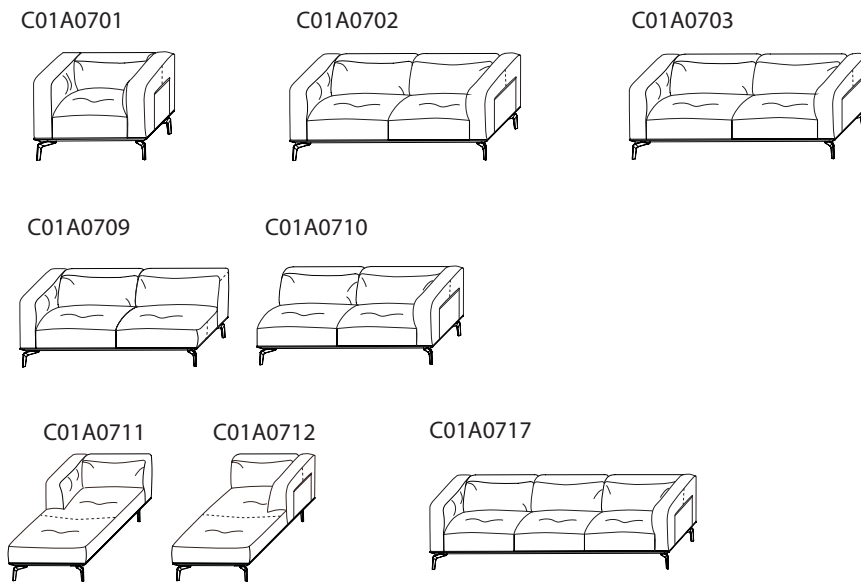


(for C01A0701 only)

FABRIC VERSION

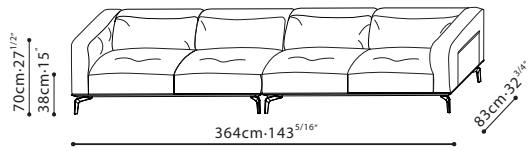


LEATHER VERSION

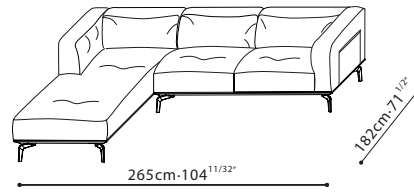


(dotted lines illustrate positioning of stitched seams on leather versions of this sofa)

SAMPLE CONFIGURATION



C01A0709+C01A0710



C01A0711+C01A0710